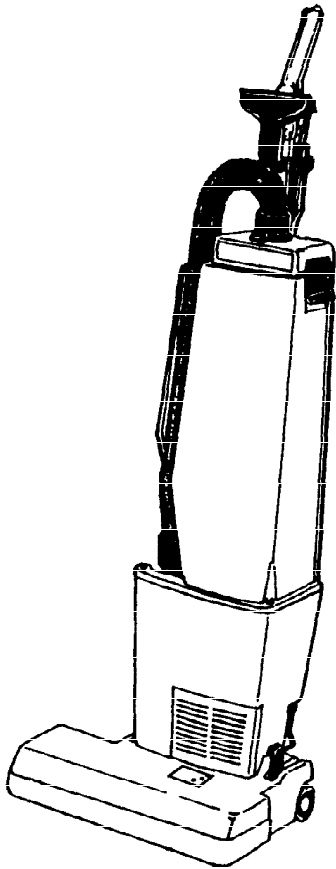


- OPERATION
- SERVICE
- PARTS
- CARE

PATRIOT 18

MODEL C37018-00



Revised 7/94

FOR COMMERCIAL USE ONLY**IMPORTANT SAFETY INSTRUCTIONS**

When using an electrical appliance, basic precautions should always be followed, including the following:

READ ALL INSTRUCTIONS BEFORE USING

WARNING - To reduce the risk of electrical shock. Store indoors. Do not expose to rain.

- Do not leave appliance when plugged in. Unplug from outlet when not in use and before servicing.
- Do not allow to be used as a toy. Close attention is necessary when used by or near children.
- Use only as described in this manual. Use only manufacturer's recommended attachments.
- Do not use with damaged cord or plug. If appliance is not working as it should, has been dropped, damaged, left outdoors, or dropped into water, return it to a service center.
- Do not pull or carry by cord, use cord as a handle, close a door on cord, or pull cord around sharp edges or corners. Do not run appliance over cord. Keep cord away from heated surfaces.
- Do not unplug by pulling on cord. To unplug, grasp the plug, not the cord.
- Do not handle plug or appliance with wet hands.
- Do not put any object into openings. Do not use with any opening blocked; keep free of dust, lint, hair, and anything that may reduce air flow.
- Keep hair, loose clothing, fingers, and all parts of body away from openings and moving parts.
- Do not pick up anything that is burning or smoking, such as cigarettes, matches, or hot ashes.
- Do not use without dustbag and/or filters in place.
- Turn off all controls before unplugging.
- Use extra care when cleaning on stairs.
- Do not use to pick up flammable or combustible liquids such as gasoline or use in areas where they may be present.
- Connect to a properly grounded outlet only. See grounding instructions.

SAVE THESE INSTRUCTIONS

INSPECTION

Carefully unpack and inspect your machine for shipping damage. Each unit is tested and thoroughly inspected before shipment, and any damage is the responsibility of the delivery carrier who should be notified immediately.

ELECTRICAL

This machine is designed to operate on a standard 15 amp, 120 volt, 60 hz, AC circuit. Voltages below 105 volts AC or above 125 volts AC could cause serious damage to the motor.

WARNING

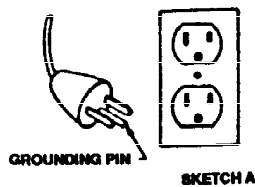
Electric motors can cause explosions when operated near explosive materials or vapors. Do not operate this machine near flammable materials such as solvents, thinners, fuels, grain dust, etc.

GROUNDING INSTRUCTIONS

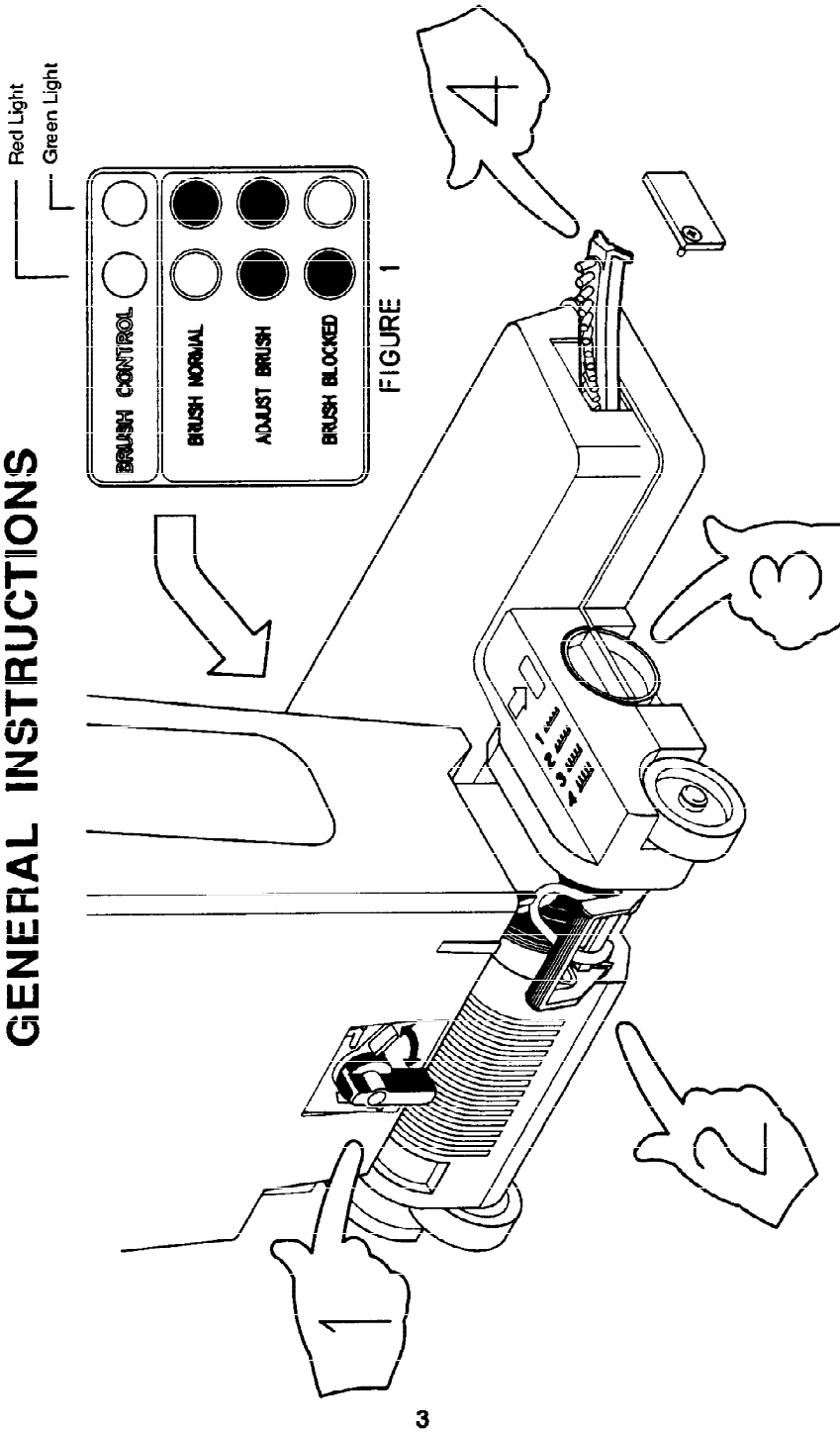
This appliance must be grounded. If it should malfunction or breakdown, grounding provides a path of least resistance for electric current to reduce the risk of electric shock. This appliance is equipped with a cord having an equipment-grounding conductor and grounding plug. The plug must be plugged into an appropriate outlet that is properly installed and grounded in accordance with all local codes and ordinances.

DANGER - Improper connection of the equipment-grounding conductor can result in a risk of electric shock. Check with a qualified electrician or service person if you are in doubt as to whether the outlet is properly grounded. Do not modify the plug provided with the appliance -- if it will not fit the outlet, have a proper outlet installed by a qualified electrician.

This appliance is for use on a nominal 120-volt circuit and has a grounding plug that looks like the plug illustrated in sketch A below. Make sure that the appliance is connected to an outlet having the same configuration as the plug. No adapter should be used with this appliance.



GENERAL INSTRUCTIONS



1. **Installation/Removal of Brush Head**

Brush head can be removed by turning knob to the right. The brush head can now be separated from vacuum housing.

2. **Handle Release**

To release the machine from upright position, push down on foot release as shown in example 2.

3. **Brush Adjustment (3) / Electronic Control (Figure 1)**

Brush adjustment is made by rotating knob (3) to desired position. Always start at the highest setting and rotate to lower setting if needed (see explanation below).

The two indicator lights on the brush head allows the operator to monitor brush performance. When only the **GREEN LIGHT** is on, brush setting is correct. When both the **GREEN** and **RED LIGHTS** are on, the brush setting is too high. Lower brush setting until the **RED LIGHT** goes out.

RED LIGHT may flicker when used on low nap commercial grade glue down type carpet. If **RED LIGHT** remains on continuously during brush operation at lowest setting (1), brush strip should be replaced. If **BRUSH ASSY** is obstructed, electronic control will shut off brush motor. Turn machine off and **UNPLUG** from **ELECTRICAL OUTLET**. Clear obstruction from brush assembly and restart.

4. **Bristle Insert Replacement**

Remove cover and pull brush strip out. Insert new brush strip and push it in all the way. Replace cover.

CAUTION: Unplug unit from electrical outlet.

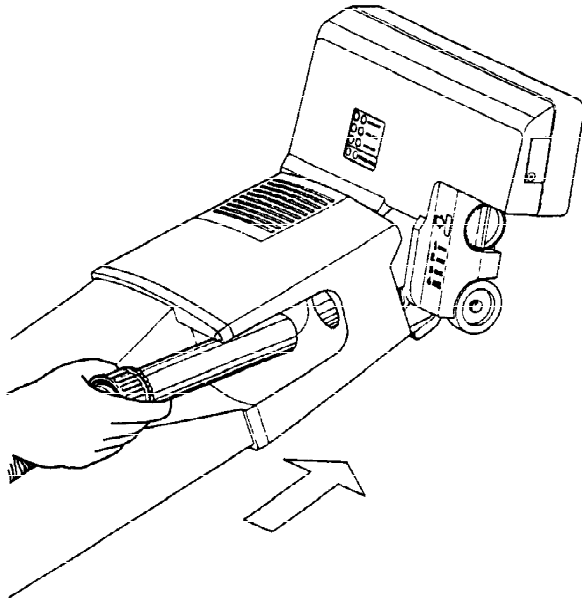


Figure 2

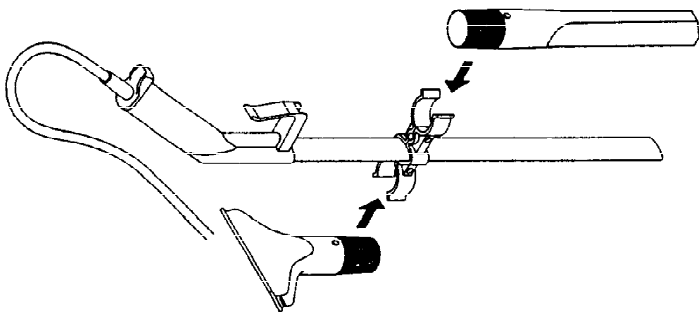


Figure 1

1. **Tool Storage**

Tools should be installed as shown in Figure 1. The smaller lower section of the tools should be snapped into the retainers.

2. **Accessory Hose (Figure 2)**

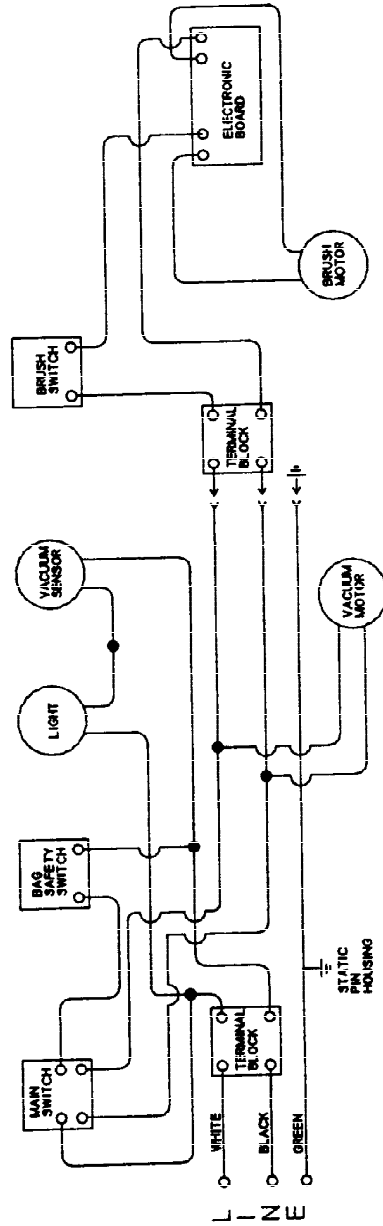
The vacuum hose can be used for direct suction use or with accessory tools. Simply pull out from base to use. **NOTE:** The brush motor turns off when the hose is removed from the housing.

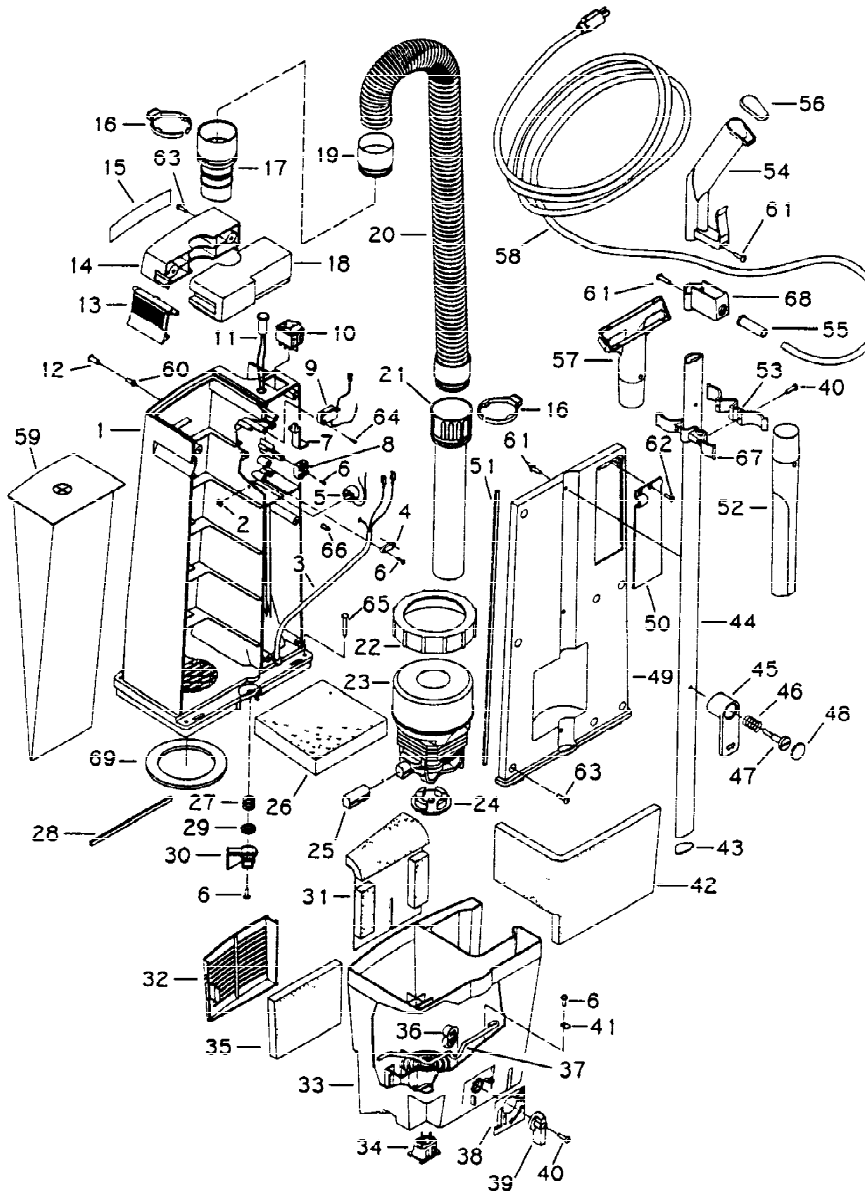
3. **Full Bag Indicator**

The indicator light will illuminate when the collection bag is full or when there is a blockage in the hose or brush head. Indicator light is next to on/off switch.

60

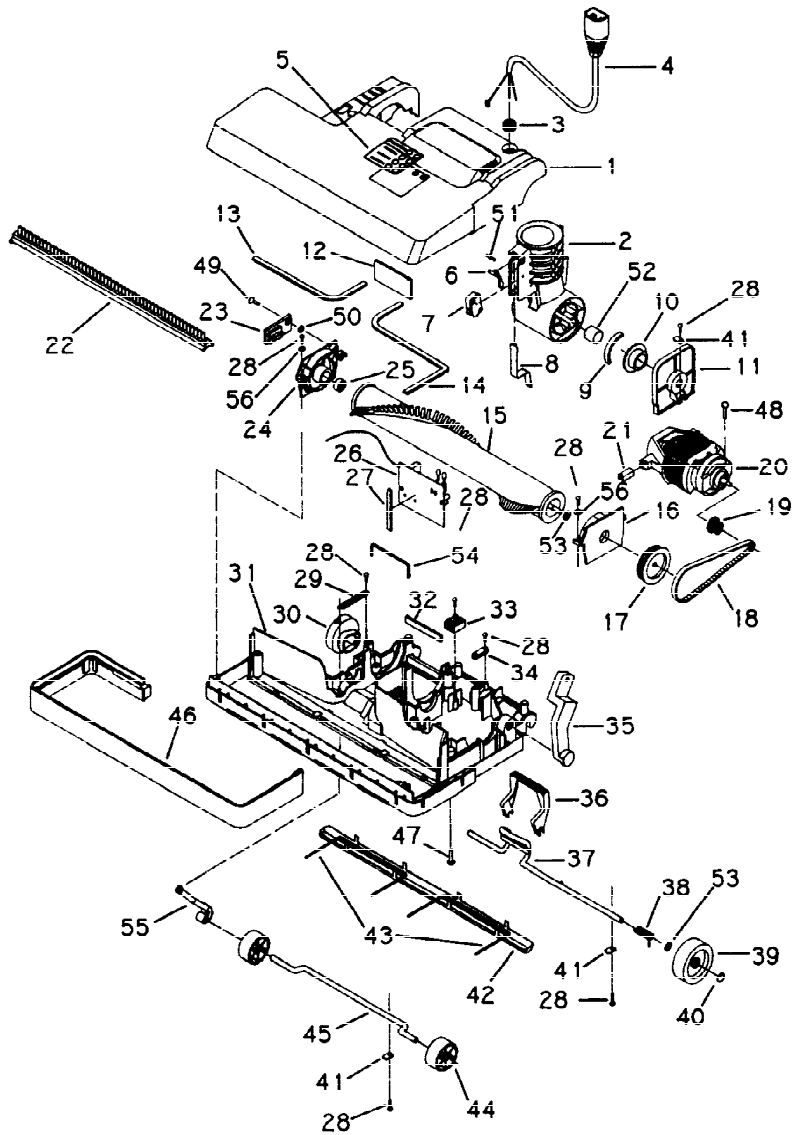
WIRING DIAGRAM





**PARTS LIST
(Housing)**

ITEM	PART NO.	QTY.	DESCRIPTION	ITEM	PART NO.	QTY.	DESCRIPTION
1	370000	1	Dirt Bag Housing Front	35	370028	1	Release Knob Cam
2	370013	1	Retainer Pres. Switch	37	370035	1	Release Lock Wire Form
3	740707	1	Wiring Harness Upright	38	715147	1	Decal Ease Release
4	250039	2	Clamp Plastic	39	370019	1	Housing Release Knob
5	740702	1	Pressure Switch	40	712098	3	SCR HI-LO Plus 8-18 x 75
6	711181	6	SCR-ST-B HI-LO 8 x .50 PL	41	370048	2	Release Lock Retainer
7	370035	1	Switch Arm	42	370035	1	Release Lock Retainer
8	740036	1	Terminal Block	43	370037	1	Extrusion Cap
9	740709	1	Switch Bag Shut-off	44	370017	1	Handle Extruded Pole
10	740711	1	Switch	45	370020	1	Upright Cord Hook
11	832659	1	Indicator Light 115V	46	370051	1	Spring, Cord Hook
12	711401	1	Nut Riv 10-32	47	370052	1	Screw, Cord Hook
13	370016	1	Bag Cover Latch	48	370056	1	Upright Hook Cover
14	370002	1	Dirt Bag Cover Front	49	370001	1	Dirt Bag Housing Rear
15	715148	1	Decal Patriot 18	50	370010	1	Electric Box Cover
16	370029	2	Hose Lock Ring	51	370093	2	Gasket - Dirt Bag Cover 18"
17	370018	1	Hose Coupling Dirt Bag	52	370097	1	Crevice Tool
18	370003	1	Dirt Bag Cover Rear	53	370060	1	Clip Retainer, Left
19	370027	2	Hose Lock Fitting	54	370014	1	Upright Handle
20	370035	1	Upright Vacuum Hose	55	370026	1	Cord Strain Relief
21	370012	1	Wand Upright	56	370138	1	Handle Cover Cap
22	370057	1	Vac Motor Gasket	57	370098	1	Upholstery Tool
23	740704	1	Vac Motor 120V	58	740735	1	Power Cord Upright
24	370072	1	Vac Motor Damper	59	370042PKG	1	Bags, Patriot, Pkg of 10
25	370068	2	Carbon Brush	60	710355	1	SCR-MC 10-32 x 50 ST PL
26	370069	1	Vac Motor Filter	61	711146	5	Screw ST 21-32 x 5 TH
27	370055	1	V. M. Bypass Spring	62	711115	2	SCR-ST-A 8 x 62 NI PL
28	370091	1	Gasket-Intake Cover 8"	63	711161	10	SCR HI-LO #10 x 3/4 PL
29	370056	1	V. M. Bypass Washer	64	710010	2	SCR-MC #10 x 1.25 ST PL
30	370011	1	Valve Body	65	710362	4	SCR-MC 6-32 x .37 OH
31	370096	1	Filter, Noise Reduction	66	740006	1	Cap, Wire 7' B
32	370015	1	Vac Motor Filter Cover	67	370103	1	Clip Retainer, Right
33	370004	1	Vacuum Canister Housing	68	370137	1	Strain Relief Housing
34	740706	1	Connector Accessory	69	250026	1	Gasket
35	370108	1	Diffuser PS Back				



**PARTS LIST
(Base)**

ITEM	PART NO.	QTY.	DESCRIPTION	ITEM	PART NO.	QTY.	DESCRIPTION
1	370119	1	Base Top Cover 18"	29	370076	1	Spring Front Axle
2	370007	1	Coupling Housing/Base	30	370032	1	Vacuum Head Cam
3	370088	1	Line Cord Grommet	31	370118	1	Brush Base Housing 18"
4	370112	1	Pig Tail	32	370152	1	Rub Strip
5	715162	1	Decal Brush Control 18	33	740036	2	Terminal Block
6	370030	1	Upright Switch Finger	34	370064	1	Strain Relief Cover
7	740701	1	Upright Switch Finger	35	370024	1	Housing Support Arm
8	370059	1	Coupling Switch Cover	36	370021	1	Upright Foot Release
9	370089	2	Felt Strip-Coupling FLG	37	370132	1	Rear Axle 18"
10	370053	2	Coupling Flange Bushing	38	370073	1	Spring - Upright Axle
11	370008	2	Coupling Pivot Plate	39	370129	2	Wheel 2 in. Molded
12	370085	1	Felt Strip-Base Cover	40	370074	2	Hubcap Upright
13	370146	1	Foam Tape	41	370075	5	Plate - Axle Retainer
14	370147	1	Gasket-Intake Cover L	42	370121	2	Metal Protector 18"
15	370126	1	Brush Core Assembly 18"	43	370071	2	Wire Formed Protector
16	370022	1	Brush End Plate/Drive	44	370143	2	Center Wheel w/Bushing
17	370052	1	Brush Drive Pulley	45	370130	1	Center Wheel Axle 18"
18	370174	1	Belt Brush Drive 18"	46	370120	1	Bumper - Molded 18"
19	370051	1	Motor Drive Pulley	47	710362	5	SCR-MC 10-32 x 1.25
20	740718	1	Brush Motor 18" 115V	48	710010	2	SCR-MC 8-32 x 82 ST
21	740899	2	Carbon Brush	49	370084	1	SCR-MC 6-32 x 37
22	370128	1	Brush Strip Assembly 18"	50	370113	1	Pushnut Bolt Retainer
23	370044	1	Brush Strip Door	51	370054	2	Straight Knurl Pin
24	370023	1	Brush End Plate/Idle	52	711577	2	Coupling Bearing Bush
25	370077	2	Bearing Upright Brush	53	370133	3	WSR-Flat
26	740719	1	Electronic Control 18"	54	370131	1	Wire Protector 18"
27	370092	1	Circuit Board Cushion 3"	55	370131	1	Cam Bracket
28	711181	17	SCR-ST-B-H-LO 8 x 50	56	711502	4	WSR-Flat #8

LIMITED WARRANTY

Minuteman International, Inc. warrants to the original purchaser/user that this product is free from defects in workmanship and materials under normal use and service for a period of one year from date of purchase. In addition, Minuteman International, Inc. will, at its option, honor labor warranty claims for the first 12 months from date of sale, provided such claims are submitted through and approved by factory authorized repair stations. Minuteman International, Inc. will, at its option, repair or replace without charge, except for transportation costs, parts that fail under normal use and service when operated and maintained in accordance with the applicable operation and instruction manuals.

This warranty does not apply to normal wear, or to items whose life is dependent on their use and care, such as belts, cords, switches, hoses, rubber parts, electrical motor components or adjustments. Parts not manufactured by Minuteman International, Inc. such as engines, batteries, battery chargers, hydraulic pumps, and tires are covered by and subject to the warranties and/or guarantees of their manufacturers. Please contact Minuteman International, Inc. for procedures in warranty claims against these manufacturers.

Special warning to purchaser -- Use of replacement filters and/or pre-filters not manufactured by Minuteman International, Inc. or its designated licensees, will void all warranties expressed or implied.

A potential health hazard exists without exact original equipment replacement.

All warranted items become the sole property of Minuteman International, Inc. or its original manufacturer, whichever the case may be.

Minuteman International, Inc. disclaims any implied warranty, including the warranty of merchantability and the warranty of fitness for a particular purpose. Minuteman International, Inc. assumes no responsibility for any special, incidental or consequential damages.

This limited warranty is applicable only in the U.S.A. and Canada, and is extended only to the original user/purchaser of this product. Customers outside the U.S.A. and Canada should contact their local distributor for export warranty policies. Minuteman International, Inc. is not responsible for costs or repairs performed by persons other than those specifically authorized by Minuteman International, Inc. This warranty does not apply to damage from transportation, alterations by unauthorized persons, misuse or abuse of the equipment, use of non-compatible chemicals, or damage to property, or loss of income due to malfunctions of the product.

If a difficulty develops with this machine, you should contact the dealer from whom it was purchased.

This warranty gives you specific legal rights, and you may have other rights which vary from state to state. Some states do not allow the exclusion or limitation of special, incidental or consequential damages, or limitations on how long an implied warranty lasts, so the above exclusions and limitations may not apply to you.

Minuteman[®]

World Headquarters:
Minuteman International, Inc.
111 South Rohlwing Rd.
Addison, Illinois 60101-4244
Phone (708) 627-6900
Fax (708) 627-1130

Minuteman Canada, Inc.
84 E Brunswick Blvd.
Dollard des Ormeaux, Quebec H9B 2C5
Phone: (514) 683-3880
Fax: (514) 683-0809

Printed in U.S.A.

985410